



Subject: External Mounted Heat Exchangers

Document Number: TAIB0859

Date: October 5, 2015

Issue Description:

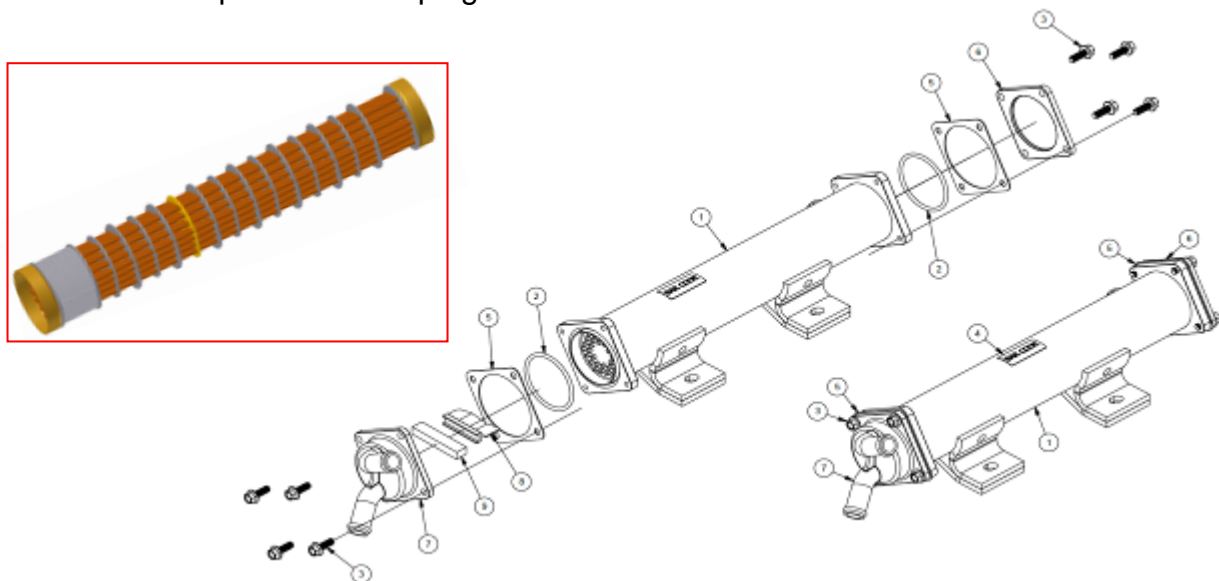
Eaton has released a new design heat exchanger replacing the below part numbers.

Containment/Corrective Action:

External cooler redesign will feature:

- Replaced fixed joint between the bundle and shell with full floating bundle style. This configuration will eliminate silver braze.
- Bundle supported in shell by O-rings that provide vibration isolation.
- Copper fins replaced with aluminum that eliminates the need for silver in brazing solder.
- Weight savings: 0.5 lbs.
- Flanged end bonnet design for coolant inlet / outlet configurations.

Phased release of coolers has been completed. Service and warranty will remain “fix as fails” and no proactive campaign.



Affected Models/Population:
NAFTA- HDT

| Installation Drawing No. | Heat Exchanger Part No. | | Heat Exchanger Location |
|--------------------------|-------------------------|---------|-------------------------|
| | Current | New | |
| 5586813 | 5586641 | 5586660 | Right Side |
| 5586758 | | | Right Side |
| 5586760 | 5586642 | 5586661 | Right Side |
| 5586764 | | | Right Side |
| 5586785 | | | Right Side |
| 5586749 | 5586643 | 5586662 | Right Side |
| 5586745 | 5586644 | 5586663 | Left Side |
| 5586757 | | | Left Side |
| 5586784 | | | Left Side |
| 5586746 | 5586645 | 5586664 | Bottom Rear |
| 5586750 | | | Bottom Rear |
| 5586766 | | | Bottom Rear |
| 5586771 | | | Bottom Rear |
| 5586773 | | | Bottom Rear |
| 5586802 | | | Bottom Rear Right |
| 5586710 | 5586646 | 5586665 | Right Side |
| 5586727 | | | Right Side |
| 5586712 | 5586647 | 5586666 | Top Rear |
| 5586729 | | | Top Rear |
| 5586747 | | | Top Rear |
| 5586759 | | | Top Rear |
| 5586772 | | | Top Rear |
| 5586783 | | | Top Rear |
| 5586796 | | | Top Rear |

| Installation Drawing No. | Heat Exchanger Part No. | | Heat Exchanger Location |
|--------------------------|-------------------------|--------------------|-------------------------|
| | Current | New | |
| 5586748 | 5586648 | 5586667 | Bottom Rear |
| 5586751 | | | Bottom Rear |
| 5586754 | | | Bottom Rear |
| 5586774 | | | Bottom Rear |
| 5586782 | | | Bottom Rear |
| 5586793 | | | Bottom Rear |
| 5586765 | 5586649 | 5586668 | Right Side |
| 5586767 | | | Right Side |
| 5586717 | | | Right Side |
| 5586737 | | | Right Side |
| 5586718 | 5586650 | 5586669 | Right Side |
| 5586735 | | | Right Side |
| 5586770 | | | Right Side |
| 5586814 | 5586651 | 5586670 | Right Side |
| 5586806 | | | Top Right |
| 5586756 | 5586653 | 5586672 | Left Side |
| 5586778 | 5586654 | 5586673 | Top Front |
| 5586780 | 5586654 5586655 | 5586673 5586674 | Top Front |
| 5586781 | | | Top Front |
| 5586790 | | | Top Front |
| 5586794 | | | Top Front |
| 5586779 | | | Bottom Rear |
| 5586816 | 5586656 | 5586675 | Top Right |
| 5586815 | 5586657 | 5586676 | Top Right |
| 5586808 | | 5586677 | Top Right |
| 5586809 | | | Top Right |

Cooler Identification





Field Strategy:

Fix as fails. Return any failed new design part numbers to Galesburg, MI for engineering evaluation.

Warranty Information:

None

The material contained in this bulletin is product improvement information. Eaton is not committed to, or liable for, canvassing existing products. FSUD: 2015-FSUD-2244