



Powering Business Worldwide

BACKED BY
Roadranger
SUPPORT

Subject: Engine Flywheel Housing Requirements and Fault Code 250 – Endurant Transmission

Document Number: TAIB-0878

Date: July 22, 2019

Issue Description:

Customers may experience Transmission Control Module (TCM) fault codes and transmission performance complaints after replacing the engine or engine flywheel housing.

TCM may report fault codes:

Fault Code	SPN	FMI	Description
250	33	7	Linear Clutch Actuator Position
250	33	9	Linear Clutch Actuator Position

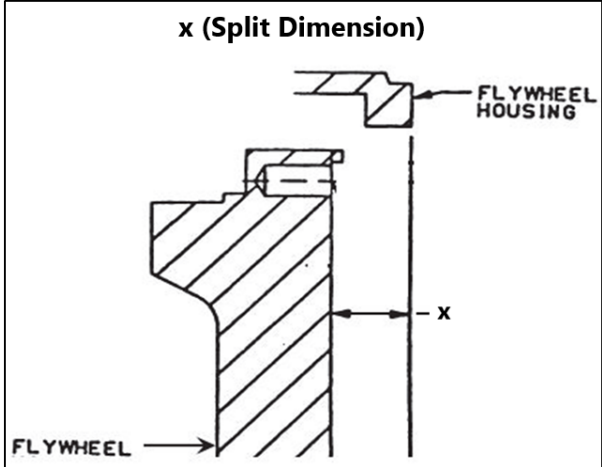
The Endurant Transmission requires a specific engine flywheel housing to ensure the correct Split Dimension. The Split Dimension is the distance from the engine flywheel machined surface to the engine flywheel housing where the transmission clutch housing attaches.

Affected Models/Population:

- Endurant Transmissions

Field Strategy:

1. If the engine or engine flywheel housing requires replacement, contact the OEM and/or engine manufacturer to identify the engine flywheel housing part number based on the transmission model.
2. To verify the correct engine flywheel housing is installed, measure the Split Dimension and reference the chart below:



Endurant Transmission			
OEM	Engine	x (Split Dimension)	
		mm	in
Navistar	A26	65.70-67.59	2.59-2.66
Navistar	X15	65.70-67.59	2.59-2.66
PACCAR	X15	65.70-67.59	2.59-2.66

Warranty Information:
Informational only.

The material contained in this bulletin is product improvement information. Eaton Corporation is not committed to, or liable for, canvassing existing products. FSUD: 2019-FSUD-2774